

1. GENERAL DESCRIPTION

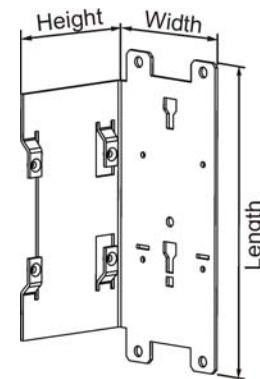
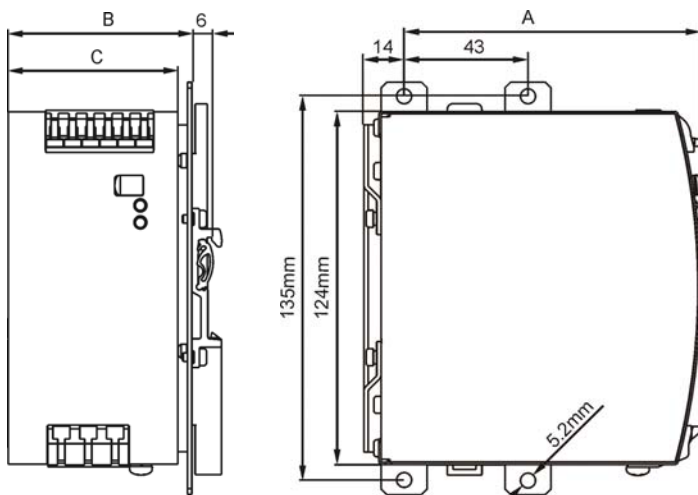
BRACKET FOR FLAT MOUNTING

This accessory is used to mount Dimension power supplies and other Dimension units sideways to reduce the installation depth. The two aluminum brackets and the black plastic slide must be removed from the units, to allow mounting of the zinc-plated steel bracket.

Two mounting options are possible:

- Panel Mount
- 35mm DIN-Rail Mount

2. DIMENSIONS AND INSTALLATION DATA

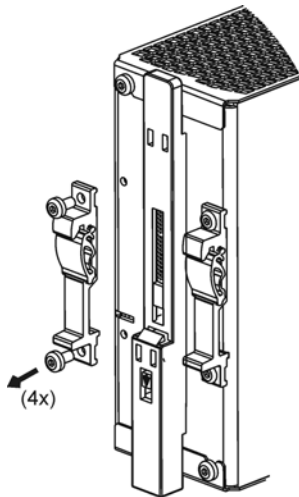


The drawings on the left show the bracket for DIN-rail mounting. The total installation depth is the B dimension plus 6mm plus the height of the DIN-Rail. In case the unit is panel mounted, the B dimension shows the required installation depth.

| Power Supply | Use Bracket | A | B | C | Length | Width | Height | Bracket Weight |
|--------------|-------------|-------|------|------|--------|-------|--------|----------------|
| QS3.XXX | ZM11.SIDE | 89mm | 38mm | 32mm | 145mm | 65mm | 37mm | 140g |
| QS5.XXX | ZM12.SIDE | 104mm | 46mm | 40mm | 145mm | 65mm | 44mm | 160g |
| QS10.XXX | ZM13.SIDE | 104mm | 66mm | 60mm | 145mm | 65mm | 63mm | 180g |
| QT20.XXX | ZM14.SIDE | 124mm | 71mm | 65mm | 145mm | 65mm | 76mm | 195g |
| QS20.XXX | ZM15.SIDE | 124mm | 88mm | 82mm | 145mm | 65mm | 84.5mm | 205g |
| YR2.DIODE | ZM11.SIDE | 89mm | 38mm | 32mm | 145mm | 65mm | 37mm | 140g |
| YRM2.DIODE | ZM11.SIDE | 104mm | 38mm | 32mm | 145mm | 65mm | 37mm | 140g |
| UF20.XXX | ZM14.SIDE | 89mm | 79mm | 64mm | 145mm | 65mm | 76mm | 195g |
| CS3.XXX | ZM11.SIDE | 89mm | 38mm | 32mm | 145mm | 65mm | 37mm | 140g |
| CS5.XXX | ZM11.SIDE | 104mm | 38mm | 32mm | 145mm | 65mm | 37mm | 140g |
| CS10.XXX | ZM13.SIDE | 104mm | 66mm | 60mm | 145mm | 65mm | 63mm | 180g |

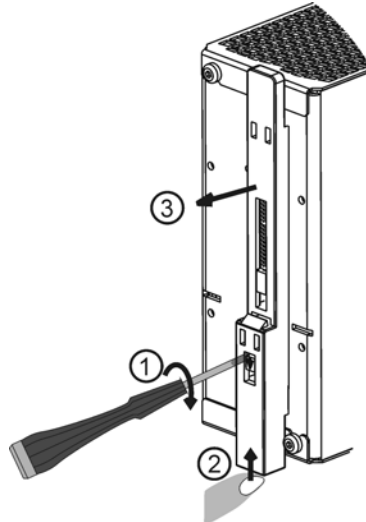
3. ASSEMBLY AND MOUNTING INSTRUCTIONS

Fig. 3-1 Detaching DIN-Rail brackets



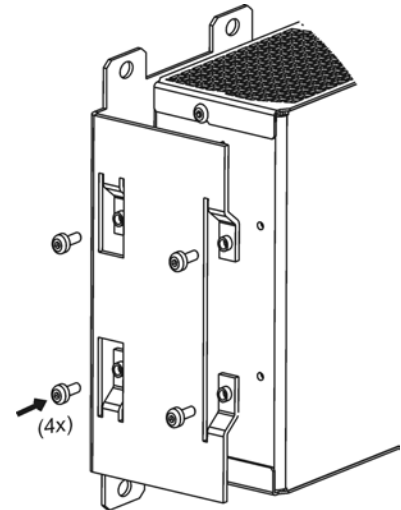
Detach the two aluminium brackets by removing the four screws with a Torx screwdriver (Torx 10). Save the screws for step 3.

Fig. 3-2 Detach slide



Remove the plastic lock mechanism by using a flat-blade screwdriver to move the lock downwards while at the same time push the plastic slide upwards. Detach the plastic slide.

Fig. 3-3 Mounting steel bracket



Mount the steel brackets with the same screws from the DIN-Rail brackets using caution not to over-tighten the screws! Recommended tightening torque is 0.6Nm. (5.3lb.in).

Two mounting options:

- Panel Mount
- DIN-Rail Mount

Preparation for DIN-Rail mounting:

Install the two aluminium brackets and the plastic slide (detached from the unit before) onto the side mounting plant with the additional screws provided.

Fig. 3-4 Panel Mount

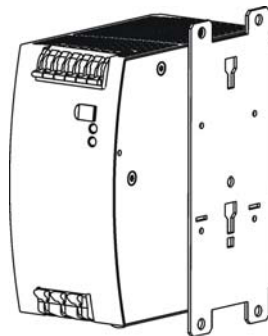
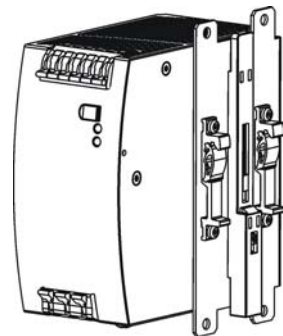


Fig. 3-5 DIN-Rail Mount



4. ORDER NUMBERS

| | | |
|-----------|------------------|---|
| Accessory | ZM11.SIDE | Side-mounting Bracket Kit 145x65x37mm |
| | ZM12.SIDE | Side-mounting Bracket Kit 145x65x44mm |
| | ZM13.SIDE | Side-mounting Bracket Kit 145x65x63mm |
| | ZM14.SIDE | Side-mounting Bracket Kit 145x65x76mm |
| | ZM15.SIDE | Side-mounting Bracket Kit 145x65x84.5mm |